

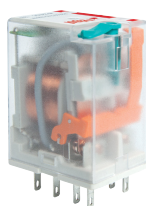
# R2N

## miniature industrial relays

R2N (AC)



R2N (DC)



12 A / 250 V AC

- General purpose relays, designed for continuous operation\*
- For plug-in sockets: on 35 mm rail mount acc. to EN 60715; on panel mounting; with terminals for soldering
- AC and DC coils, insulation class F: 155 °C
- WT (mechanical indicator + lockable front test button)
  - standard equipment of relays. Relays may be provided with the test buttons (no latching) and plugs - page 8
- Recognitions, certifications, directives: RoHS,

### Contact data

Number and type of contacts		2 CO	CE	UL	US	DVE	ERC	UK	CA	SP	
Contact material		AgNi, AgNi/Au flash gold plating									
Rated / max. switching voltage	AC	250 V / 440 V									
Min. switching voltage		10 V									
Rated load (capacity)	AC1	12 A / 250 V AC									
	AC15	3 A / 120 V	1,5 A / 240 V (B300)								
	DC1	12 A / 24 V DC (see Fig. 3)									
	DC13	0,22 A / 120 V	0,1 A / 250 V (R300)								
Motor load	acc. to UL 508	1/2 HP	240 V AC, 4,9 FLA, single-phase motor ❶								
	AC3 acc. to IEC 60947-4-1	0,37 kW	240 V AC, single-phase motor								
Min. switching current		5 mA									
Max. make current		24 A									
Rated current		12 A									
Max. breaking capacity	AC1	3 000 VA									
Min. breaking capacity		0,3 W									
Contact resistance		≤ 100 mΩ									
Max. operating frequency	• at rated load AC1	1 200 cycles/hour									
	• no load	12 000 cycles/hour									

### Coil data

Rated voltage	50/60 Hz AC	6, 12, <b>24</b> , 42, 48, 60, 80, 110, 115, 120, 127, 220, <b>230</b> , 240 V								
	DC	5, 6, <b>12</b> , <b>24</b> , 48, 60, 80, 110, 125, <b>220</b> V								
Must release voltage		AC: ≥ 0,2 U <sub>n</sub>			DC: ≥ 0,1 U <sub>n</sub>					
Operating range of supply voltage		see Tables 1, 2 and Fig. 4, 5								
Rated power consumption	AC	50 Hz: 1,6 VA			60 Hz: 1,3 VA					
	DC	0,9 W								

### Insulation according to EN 60664-1

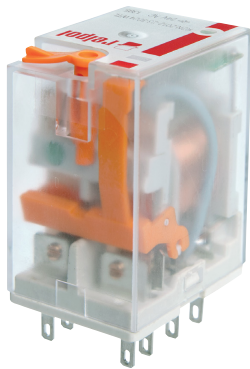
Insulation rated voltage		250 V AC								
Rated surge voltage		4 000 V 1,2 / 50 μs								
Overvoltage category		III								
Insulation pollution degree		3								
Dielectric strength	• between coil and contacts	2 500 V AC			type of insulation: basic					
	• contact clearance	1 500 V AC			type of clearance: micro-disconnection					
	• pole - pole	2 500 V AC			type of insulation: basic					
Contact - coil distance	• clearance	≥ 2,5 mm								
	• creepage	≥ 4 mm								

### General data

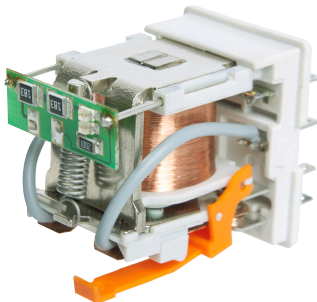
Operating / release time (typical values)		AC: 10 ms / 8 ms			DC: 13 ms / 3 ms					
Electrical life	• resistive AC1	> 10 <sup>5</sup> 12 A, 250 V AC								
	• cosφ	see Fig. 2								
Mechanical life (cycles)		> 2 x 10 <sup>7</sup>								
Dimensions (L x W x H)		27,4 x 21 x 35,5 mm								
Weight		35 g								
Ambient temperature	• storage	-40...+85 °C								
	(non-condensation and/or icing) • operating	coil AC: -40...+55 °C			coil DC: -40...+70 °C					
Cover protection category		IP 40			EN 60529					
Environmental protection		RTI			EN 61810-1					
Shock resistance	(NO/NC)	10 g / 5 g								
Vibration resistance		5 g 10...150 Hz								

The data in bold type relate to the standard versions of the relays. \*The relays are designed for continuous operation while maintaining the parameters declared in the data sheet. ❶ For single phase motors for 110-120 V AC do not use motors with higher FLA than given for 240 V AC.

## Design



**Improvement of the functionality of the mechanical indicator (W):** it is mounted on an insulation base of the unit of the movable contacts; the changes provide the appropriate position in the window in the upper side of the housing irrespectively of the number of operations performed by the relay.



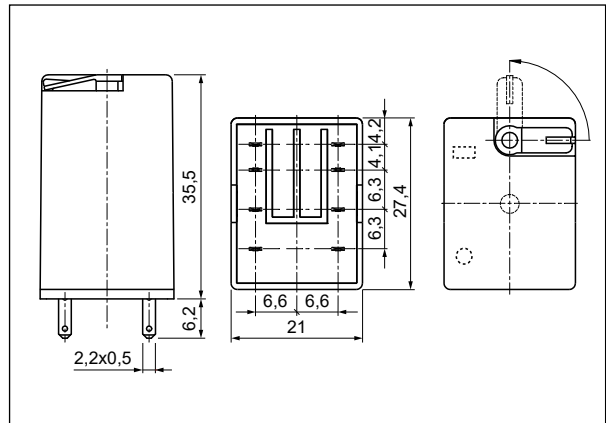
**Application of electronics made in the SMD technology:** additional equipment L (LED diode) and D (diode) are located on the printed circuit board; the change of the position of the LED diode and optimization of the quality and intensity of its light provide certainty that the relay is in operation status when the LED is on.



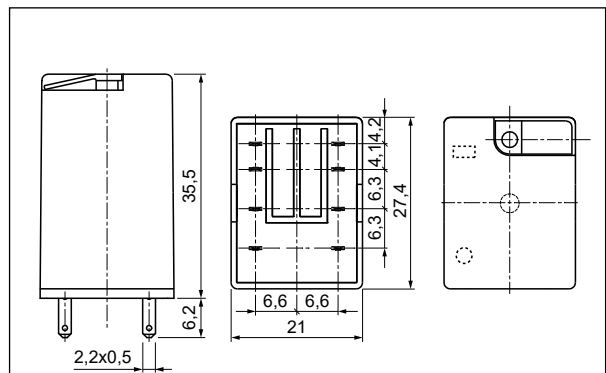
**Improvement of the efficiency of the electromagnet:** an innovational technology of connecting elements has been introduced, which guarantees more reliable operation of the relay.

**Strengthening of the insulation in the area of the contact plate:** polyamide PA66 has been applied; it has very good mechanical and electrical parameters and best thermal properties.

## Dimensions - plug-in version (WT), with lockable front test button type T

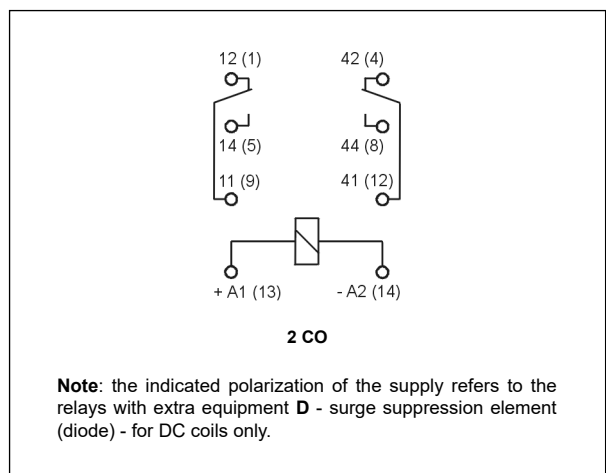


## Dimensions - plug-in version, with test button (no latching) or with plug (no manual operation)



Test buttons R4P-0001 and plugs R4W-0003 need to be ordered separately. They substitute buttons type T. To be exchanged by the Customer themselves. Information on test buttons (no latching) and plugs - page 8.

## Connection diagram (pin side view)



## Mounting, sockets and accessories for relays

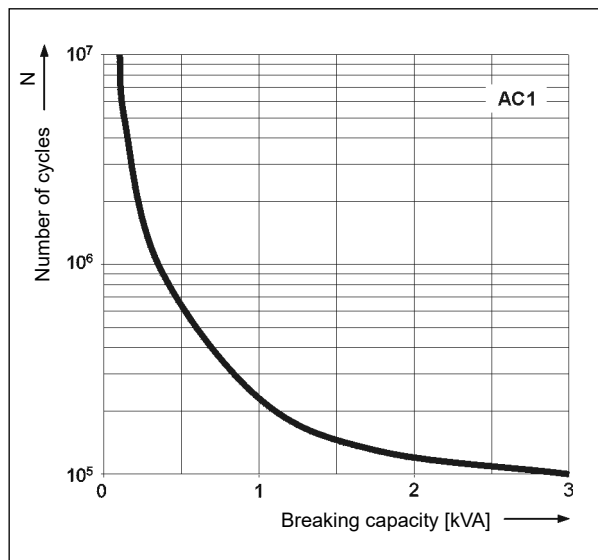
Relays **R2N** are designed for mounting in plug-in sockets. **With WT equipment as standard (W - mechanical indicator + T - lockable front test button).** In these relays is **possibility self-exchange of button type T for test button R4P-0001 (no latching) or on plug R4W-0003 (no manual operation).** The buttons **R4P-0001** and the plugs **R4W-0003** need to ordered separately.

Sockets for R2N	Accessories			Additional equipment
	Retainer / retractor clips	Spring wire clips	Description plates	
<b>Screw terminals sockets, 35 mm rail mount (acc. to EN 60715) or on panel mounting (two M3 screws)</b>				
GZT2	GZT4-0040, GZP4-0400	G4 1052	GZT4-0035	M... ②, ZGGZ4 ④
GZM2	GZT4-0040, GZP4-0400	G4 1052	GZT4-0035	M... ②, ZGGZ4 ④
<b>Push-in terminals sockets, 35 mm rail mount (acc. to EN 60715) or on panel mounting (two M3 screws)</b>				
GZP4 ②	GZP4-0400, GZT4-0040	G4 1052	MP15	M... ②, ZGZP4-8, ZGZP4-2, ZGZP-2 ④
<b>Sockets for PCB</b>				
SU4/2D	–	G4 1053	–	–
G4D/2	–	G4 1053	–	–
<b>Solder terminals sockets</b>				
SU4/2L	–	G4 1053	–	G4 1040 ⑤
G4/2	–	G4 1053	–	–

- ② Sockets GZP4: wire connection - see page 10.    ④ Signalling / protecting modules type M... - see page 12.  
 ① Interconnection strips ZGGZ4, ZGZP... - see pages 13-14.    ⑤ Spring clamps G4 1040.

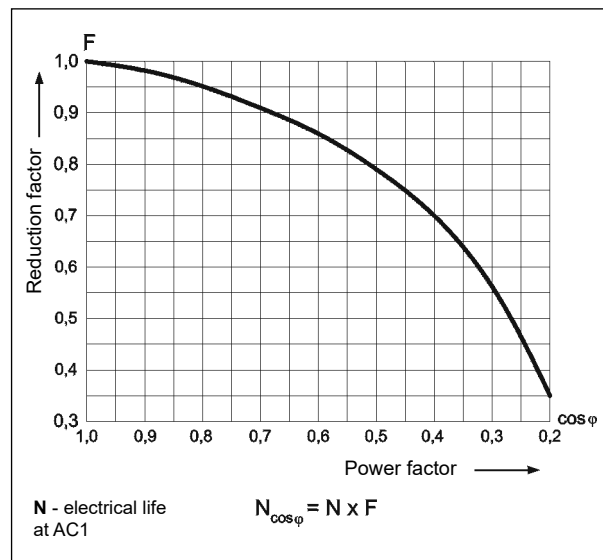
**Electrical life at AC resistive load.**  
Switching frequency: 1 200 cycles/hour

Fig. 1

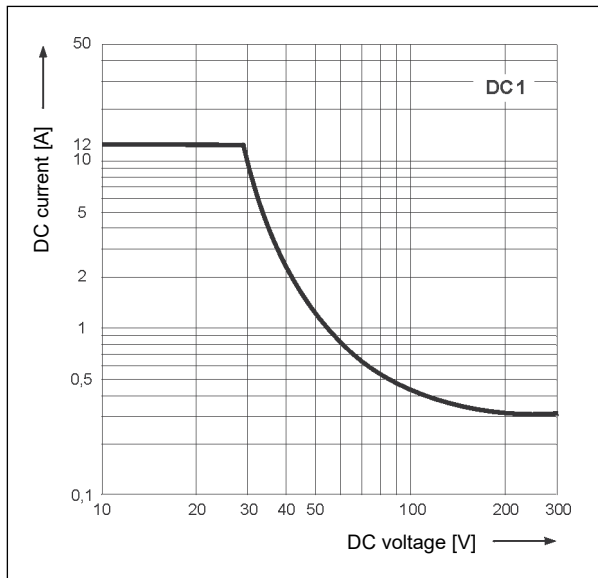


**Electrical life reduction factor at AC inductive load**

Fig. 2

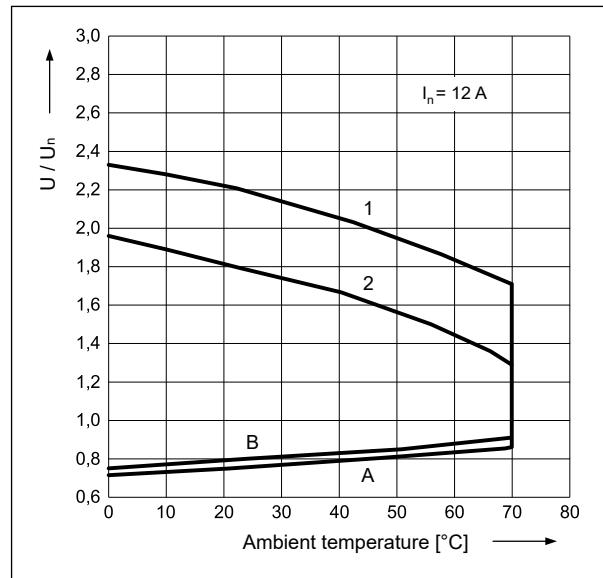


**Max. DC resistive load breaking capacity** Fig. 3



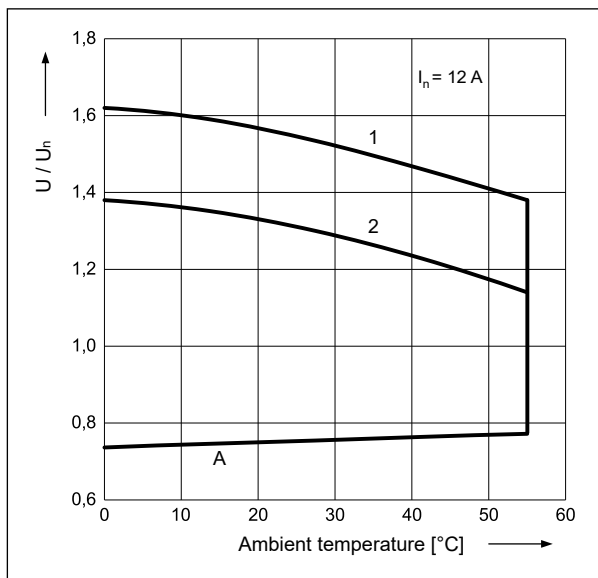
**Coil operating range - DC**

Fig. 4



**Coil operating range - AC 50 Hz**

Fig. 5



**Description of Fig. 4 and 5**

**A** - relations between make voltage and ambient temperature at no load on contacts. Coil temperature and ambient temperature are equal before coil energizing. Make voltage is not higher than the value read on Y axis (multiplication of rated voltage).

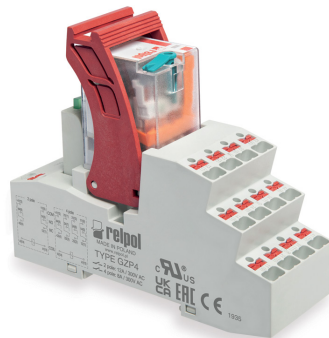
**B** - relations between make voltage and ambient temperature after initial coil heating up with 1,1 U<sub>n</sub>, at continues load of I<sub>n</sub> on contacts. Make voltage is not higher than the value read on Y axis (multiplication of rated voltage).

**1, 2** - values on Y axis represent allowed overvoltage on coil at certain ambient temperature and contact load:

- 1 - no load
- 2 - rated load

## GZP4

Push-in terminals  
plug-in sockets  
for R2N, R4N  
- see page 10



## Contact material selection for different load types

- **AgNi** - for resistive or inductive loads,
- **AgNi/Au flash gold plating** - Au protects the contact surface during storage.

Coil data - DC voltage version

Table 1

Coil code	Rated voltage V DC	Coil resistance at 20 °C Ω	Acceptable resistance	Coil operating range V DC	
				min. (at 20 °C)	max. (at 70 °C)
1005	5	28	± 10%	4,0	5,5
1006	6	40	± 10%	4,8	6,6
1012	12	160	± 10%	9,6	13,2
<b>1024</b>	<b>24</b>	<b>640</b>	<b>± 10%</b>	<b>19,2</b>	<b>26,4</b>
1048	48	2 600	± 10%	38,4	52,8
1060	60	4 000	± 10%	48,0	66,0
1080	80	7 100	± 10%	64,0	88,0
1110	110	13 600	± 10%	88,0	121,0
1125	125	16 000	± 10%	100,0	137,5
<b>1220</b>	<b>220</b>	<b>54 000</b>	<b>± 10%</b>	<b>176,0</b>	<b>242,0</b>

The data in bold type relate to the standard versions of the relays.

Coil data - AC 50/60 Hz voltage version

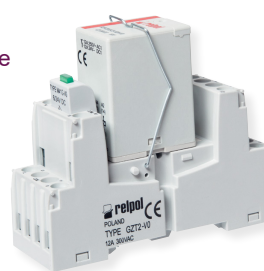
Table 2

Coil code	Rated voltage V AC	Coil resistance at 20 °C Ω	Acceptable resistance	Coil operating range V AC	
				min. (at 20 °C)	max. (at 55 °C)
5006	6	9,8	± 10%	4,8	6,6
5012	12	39,5	± 10%	9,6	13,2
<b>5024</b>	<b>24</b>	<b>158</b>	<b>± 10%</b>	<b>19,2</b>	<b>26,4</b>
5042	42	470	± 10%	33,6	46,2
5048	48	640	± 10%	38,4	52,8
5060	60	930	± 10%	48,0	66,0
5080	80	1 720	± 10%	64,0	88,0
5110	110	3 450	± 10%	88,0	121,0
5115	115	3 610	± 10%	92,0	127,0
5120	120	3 770	± 10%	96,0	132,0
5127	127	4 000	± 10%	101,6	139,0
5220	220	15 400	± 10%	176,0	242,0
<b>5230</b>	<b>230</b>	<b>16 100</b>	<b>± 10%</b>	<b>184,0</b>	<b>253,0</b>
5240	240	16 800	± 10%	192,0	264,0

The data in bold type relate to the standard versions of the relays.

## Relays for railroad industry

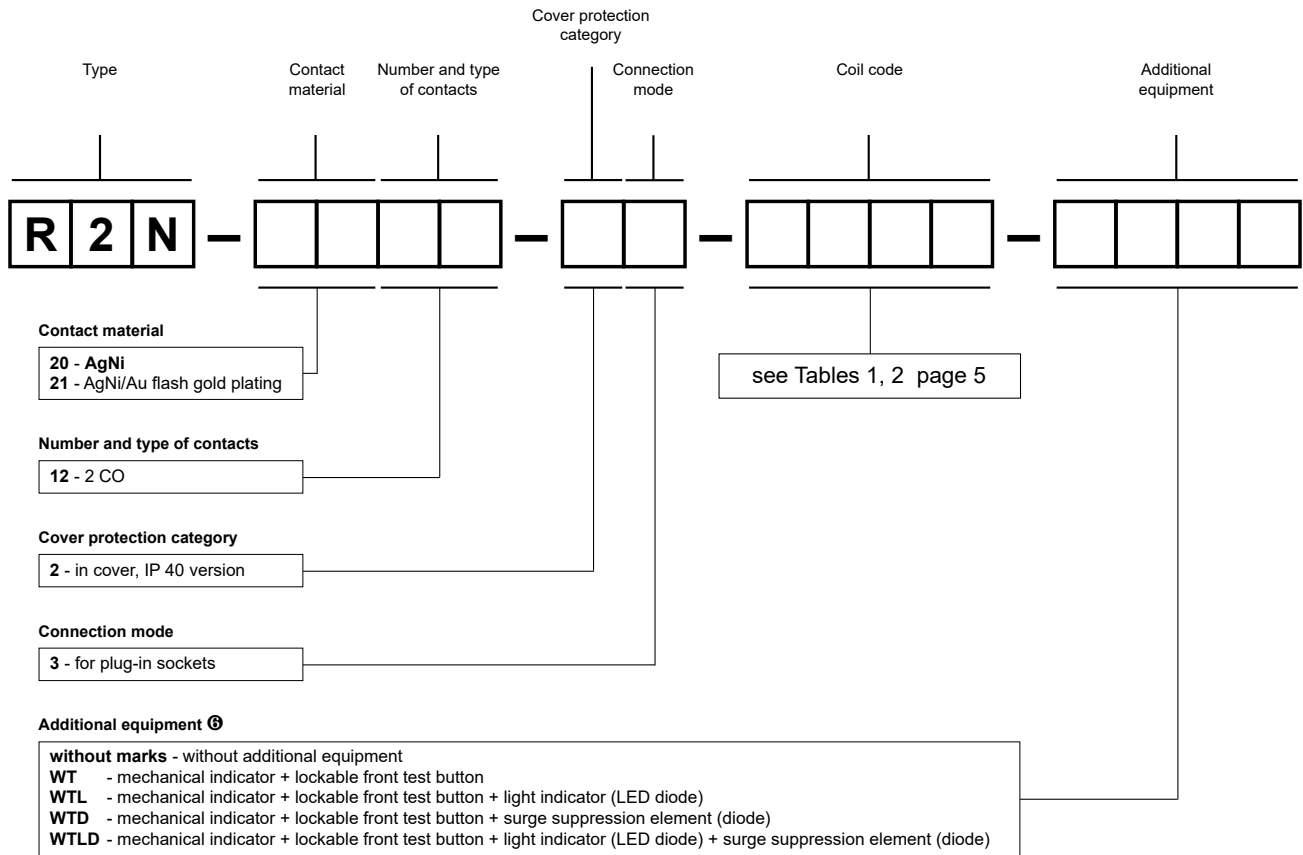
**PIR2T**  
- interface



**R2T**  
- industrial



## Ordering codes



Ⓜ **T** - orange colour (AC coils), green (DC coils). **WT** - standard equipment of relays. **WTD, WTLD** - available only in relays with DC coils.

**Test buttons (no latching) and plugs** need to be ordered separately. They substitute buttons type T. To be exchanged by the Customer themselves. Information on test buttons (no latching) and plugs - page 8.

- Button R4P-0001-A - orange colour (AC coils)
- Button R4P-0001-D - green colour (DC coils)
- Plug R4W-0003-A - orange colour (AC coils)
- Plug R4W-0003-D - green colour (DC coils)

### Note:



While the relay operates, the test button of the **T** type becomes heated. In order to push the test button manually, you should first turn the supply voltage off, and wait some time until the button becomes colder (or push the button immediately using a protective glove or an insulated tool). The button shall be pushed smoothly and quickly. The normally open contacts are closed with the button for the time during which the button is pushed. Releasing the button opens the normally open contacts. Normally open contacts may be closed with the blocking function of the button (it shall be turned by 90°). When the button is turned back, the normally open contacts are opened.

For relays with additional equipment **D** - surge suppression element (diode) (versions **WTD** and **WTLD**) - fixed supply polarization compulsory for the DC load of coils: +A1(13) / -A2(14). The polarization is indicated on the relay cover. For other versions of the relays with DC coils any polarization is possible.

Example of ordering codes:



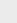

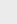

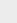
**R2N-2012-23-1024-WT** relay **R2N**, for plug-in sockets, two changeover contacts, contact material AgNi, coil voltage 24 V DC, with mechanical indicator and lockable front test button, in cover IP 40

## Additional equipment for industrial relays

Industrial relays for plug-in sockets: R2N, R3N, R4N, R15 - 2 CO , R15 - 3 CO  with **WT equipment as standard** (**W** - mechanical indicator + **T** - lockable front test button). **Detailed information** on additional equipment of individual relays can be found in the data sheets on the side of "Ordering codes".

### Note:

While the relay operates, the test button of the **T** type becomes heated. In order to push the test button manually, you should first turn the supply voltage off, and wait some time until the button becomes colder (or push the button immediately using a protective glove or an insulated tool). The button shall be pushed smoothly and quickly. The normally open contacts are closed with the button for the time during which the button is pushed. Releasing the button opens the normally open contacts. Normally open contacts may be closed with the blocking function of the button (it shall be turned by 90°). When the button is turned back, the normally open contacts are opened.

Type 	Description	For industrial relays
<b>W</b>	mechanical indicator	R2N, R3N, R4N, (R15 - 2 CO, 3 CO  )
<b>T</b>	lockable front test button, orange (AC coils), green (DC coils)	R2N, R3N, R4N, (R15 - 2 CO, 3 CO  )
<b>L</b>	light indicator (LED diode), located inside the relay	R2N, R3N, R4N, (R15 - 2 CO, 3 CO, 4 CO  ) RUC, RUC-M
<b>D</b>	surge suppression element (diode) - only for DC coils	R2N, R3N, R4N, (R15 - 2 CO, 3 CO, 4 CO  )
<b>V</b>	surge suppression element (varistor) - only for AC coils	(R15 - 2 CO, 3 CO  )
<b>K</b>	test button without block function, orange (AC coils), green (DC coils)	(R15 - 4 CO  ), RUC

### Available combinations:


**WT, WTL, WTD, WTL D** - in relays R2N, R3N, R4N for plug-in sockets

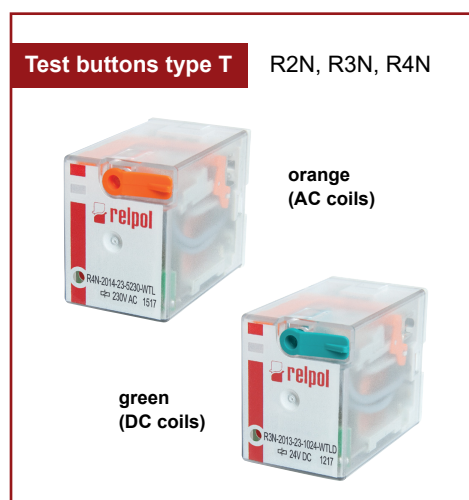
**WT, WTL, WTD, WTL D, WTV, WTL V** - in relays R15 - 2 CO, 3 CO for plug-in sockets

**K, L, D, KL, KD, LD, KLD** - in relays R15 - 4 CO for plug-in sockets

**K, L, KL** - in relays RUC

**L** - in relays RUC-M

 Voltage versions, in covers



## Test buttons (no latching) and plugs

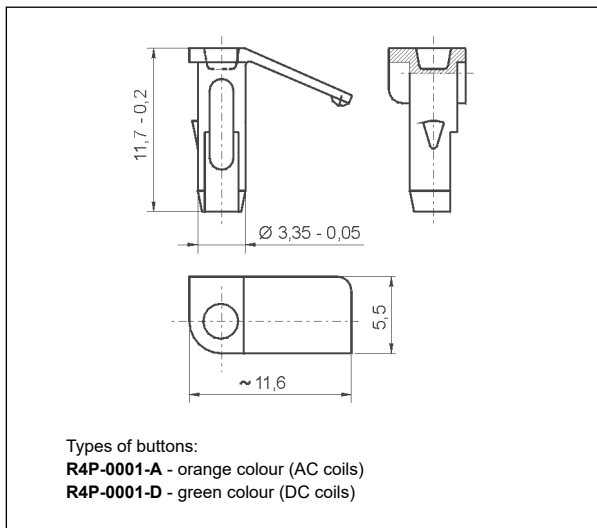
**Test buttons (no latching)** are recommended for R2N...WT, R3N...WT, R4N...WT, R15...WT 2 CO, R15...WT 3 CO relays - **for applications that do not allow permanent contact latching**. By manual operation (pressing the button) relay contacts can get switched for as long time as long the button is pressed. Contacts return to initial position as soon as pressure is released from the button. Those operations can be done while the coil is deenergized ⚡.

Button **R4P-0001** or **R15-M404** can be easily inserted by the Customer after removal of button type **T** (see Fig. 2). Button type **T** can be removed with screwdriver as shown on Fig. 1.

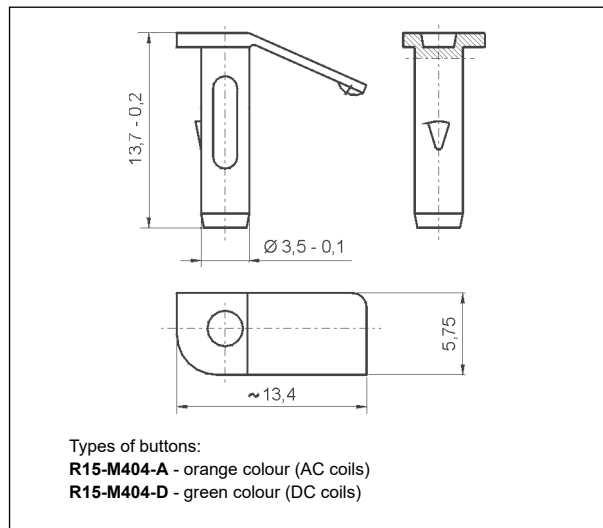
⚡ While the relay operates, the test button becomes heated. In order to push the test button manually, you should first turn the supply voltage off, and wait some time until the button becomes colder (or push the button immediately using a protective glove or an insulated tool). The button shall be pushed smoothly and quickly.



### Dimensions - test button R4P-0001 for R2N...WT, R3N...WT, R4N...WT

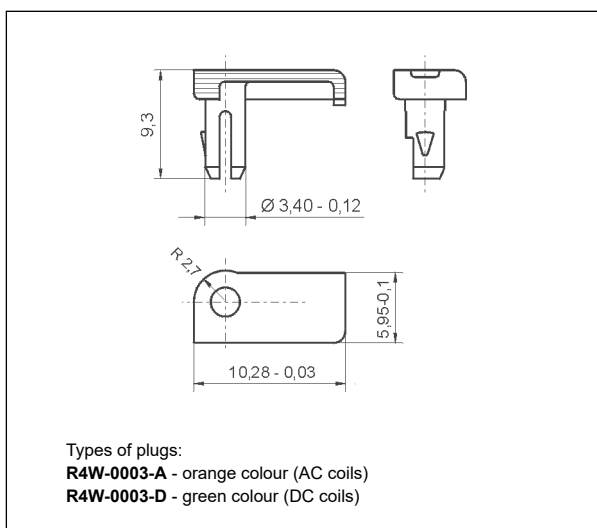


### Dimensions - test button R15-M404 for R15...WT 2 CO, R15...WT 3 CO

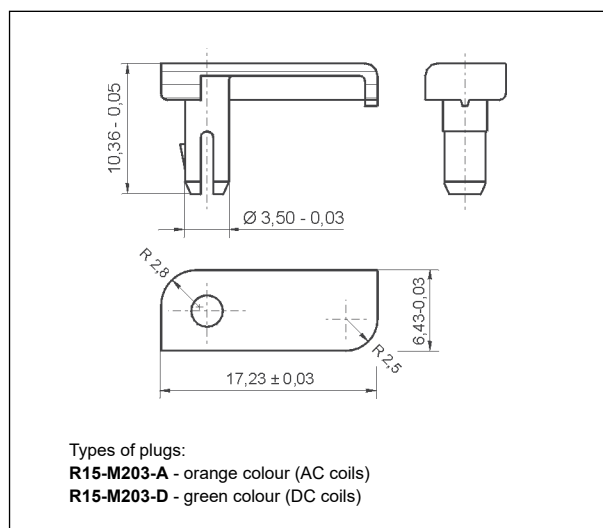


**Plugs R4W-0003** or **R15-M203** can substitute button type **T** if **manual operation (latching and testing) is not allowed**. Changing button type **T** for plug can be done by Customer themselves in the same way as changing button type **T** for button (no latching).

### Dimensions - plug R4W-0003 for R2N...WT, R3N...WT, R4N...WT



### Dimensions - plug R15-M203 for R15...WT 2 CO, R15...WT 3 CO



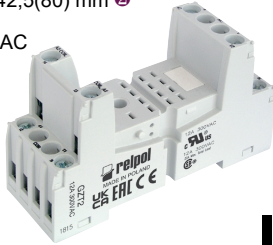


# Sockets and accessories

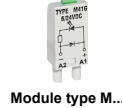
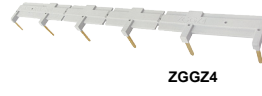
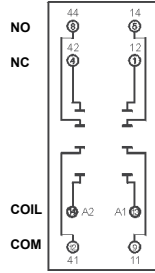
## GZT2

For R2N

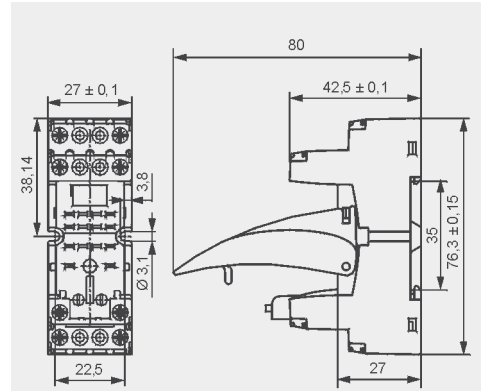
Screw terminals  
Max. tightening moment for the terminal: 0,7 Nm  
35 mm rail mount  
acc. to EN 60715  
or on panel mounting  
76,3 x 27 x 42,5(80) mm ②  
Two poles  
12 A, 300 V AC



Connection diagram [Installation instruction](#)



Dimensions



Accessories ①

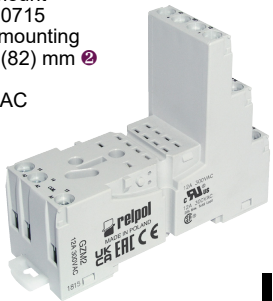
GZT4-0035

Module type M...

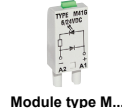
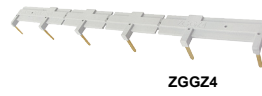
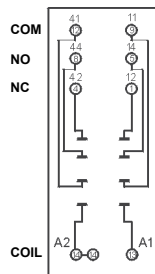
## GZM2

For R2N

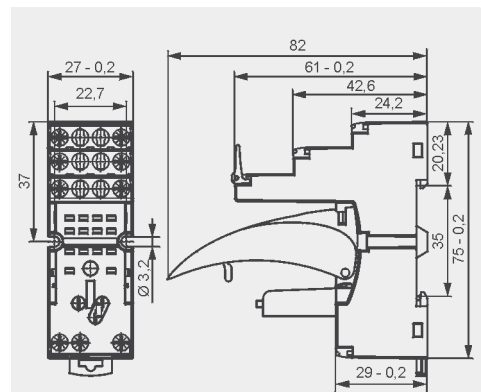
Screw terminals  
Max. tightening moment for the terminal: 0,7 Nm  
35 mm rail mount  
acc. to EN 60715  
or on panel mounting  
75 x 27 x 61(82) mm ②  
Two poles  
12 A, 300 V AC



Connection diagram



Dimensions



Accessories ①

GZT4-0035

Module type M...

- ① Mounting and sub-assemblies of accessories in the socket - see page 9. Signalling / protecting modules type M... - see page 12.
- ② In the bracket the height of socket with retainer / retractor clip is shown.

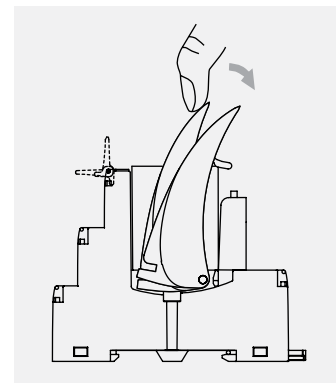
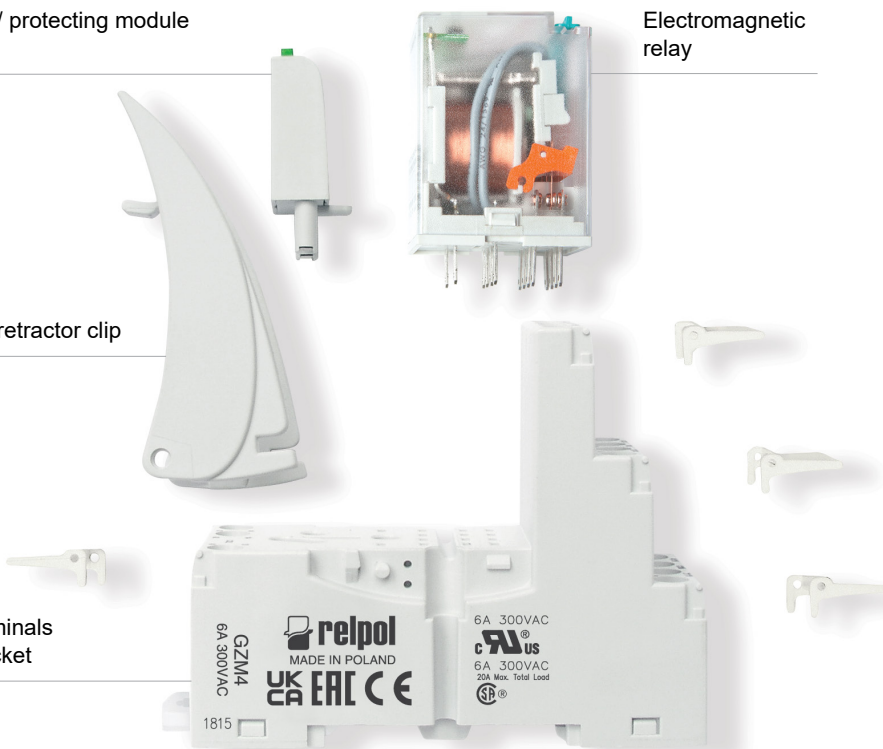
## Mounting and sub-assemblies of the relay and accessories in the socket

Signalling / protecting module type M...

Electromagnetic relay

Retainer / retractor clip

Screw terminals plug-in socket



Removing the relay from the socket with a retractor / retractor clip

Description plate

# Sockets and accessories

## GZP4

For R4N, R2N

Push-in terminals

Max. cross section of the cables:

2 x 1,5 mm<sup>2</sup> (ferrules without insulation)

2 x 1 mm<sup>2</sup> (ferrules with insulation)

Stripping length: 8...10 mm

35 mm rail mount

acc. to EN 60715

or on panel mounting

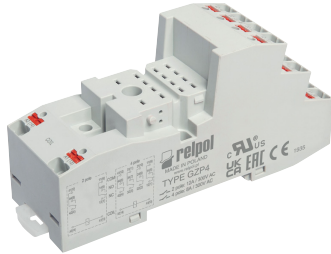
97 x 31 x 45,9(75,8) mm <sup>②</sup>

Two poles

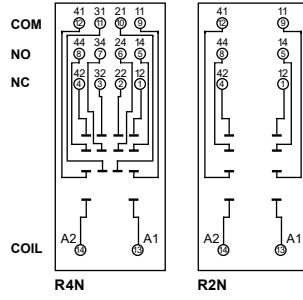
12 A, 300 V AC

Four poles

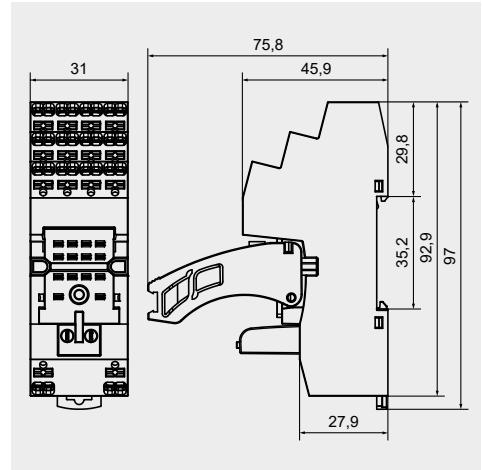
8 A, 300 V AC



### Connection diagrams



### Dimensions



GZP4-0400



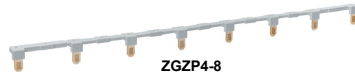
GZT4-0040



G4 1052



MP15



ZGZP4-8



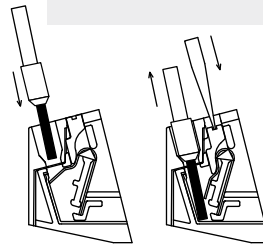
ZGZP4-2



ZGZP-2



Module type M...



The drawings present inserting wire into the Push-in terminal and removing wire using the button releasing a clamp (assembly without tools).

### Accessories <sup>①</sup>

### Wire connection

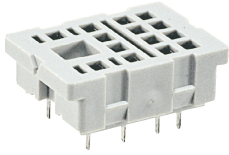
<sup>①</sup> Mounting and sub-assemblies of accessories in the socket - see page 9. Signalling / protecting modules type M... - see page 12.

<sup>②</sup> In the bracket the height of socket with retainer / retractor clip is shown.

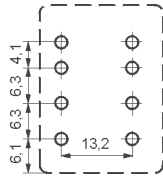
# Sockets and accessories

## SU4/2D

For R2N  
For PCB  
29,6 x 21,5 x 11 mm  
Two poles  
12 A, 250 V AC



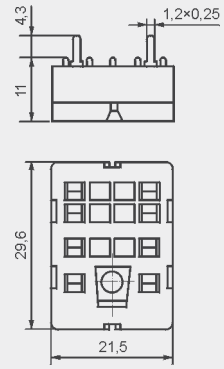
### Pinout



G4 1053

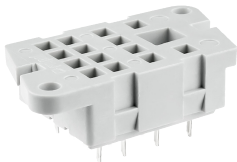
### Accessories

### Dimensions

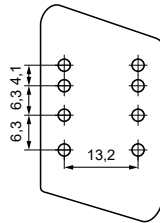


## G4D/2

For R2N  
For PCB  
40,5 x 21,5 x 11 mm  
Two poles  
12 A, 250 V AC



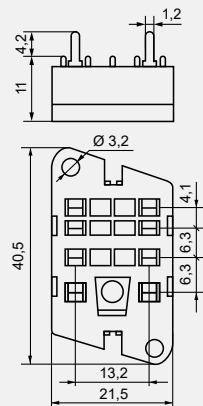
### Pinout



G4 1053

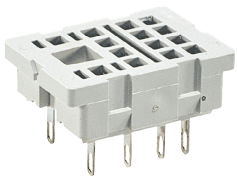
### Accessories

### Dimensions

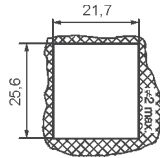


## SU4/2L

For R2N  
Solder terminals  
29,6 x 21,5 x 18,1 mm  
Two poles  
12 A, 250 V AC



### Dimensions of opening on panel mounting



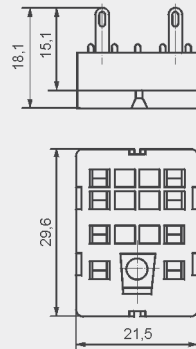
G4 1053



G4 1040

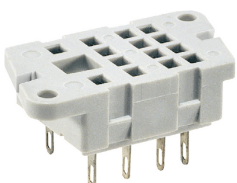
### Accessories

### Dimensions

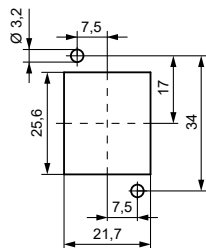


## G4/2

For R2N  
Solder terminals  
40,5 x 21,5 x 18,1 mm  
Two poles  
12 A, 250 V AC



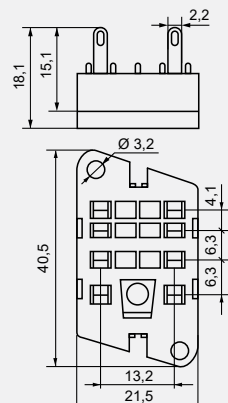
### Pinout of openings on panel mounting



G4 1053

### Accessories

### Dimensions



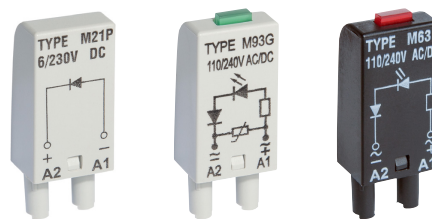
## Signalling / protecting modules type M...

### For sockets type:

GZT80, GZM80, GZS80, GZP80, GZT92, GZM92, GZS92, ES 32, GZT2, GZM2, GZT3, GZM3, GZT4, GZM4, GZP4

Modules type M... are parallelly connected with relay coil.

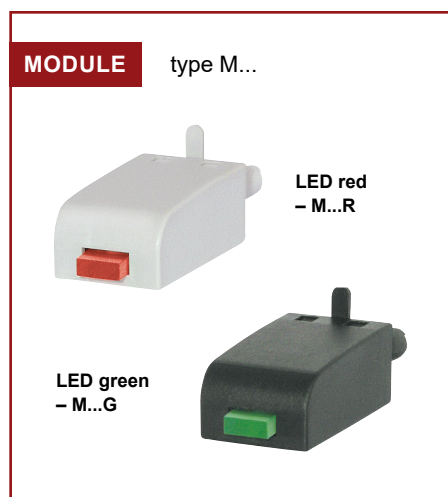
Polarization P: -A1/+A2. Polarization N: +A1/-A2.



Modules type M...	Layout	Voltage	Type of module ① ②
<b>Module D (polarization P)</b> It limits overvoltage on DC coils.		6/230 V DC	M21P
<b>Module D (polarization N)</b> It limits overvoltage on DC coils.		6/230 V DC	M21N
<b>Module LD (polarization P)</b> It limits overvoltage on DC coils. Coil energizing indication.		6/24 V DC 24/60 V DC 110/230 V DC	M31R, M31G M32R, M32G M33R, M33G
<b>Module LD (polarization N)</b> It limits overvoltage on DC coils. Coil energizing indication.		6/24 V DC 24/60 V DC 110/230 V DC	M41R, M41G M42R, M42G M43R, M43G
<b>Module RC</b> It protects against EMC disturbance. It limits overvoltage.		6/24 V AC/DC 24/60 V AC/DC 110/240 V AC/DC	M51 M52 M53
<b>Module L</b> Coil energizing indication.		6/24 V AC/DC 24/60 V AC/DC 110/240 V AC/DC	M61R, M61G M62R, M62G M63R, M63G
<b>Module LV</b> It limits overvoltage on AC and DC coils. Coil energizing indication.		6/24 V AC/DC 24/60 V AC/DC 110/240 V AC/DC	M91R, M91G M92R, M92G M93R, M93G
<b>Module V</b> It limits overvoltage on AC coils. No indication.		6/24 V AC 110/130 V AC 220/240 V AC	M71 M72 M73
<b>Module R</b> It limits harmful voltage on AC coils induced in long lines which causes unwanted making of the relay.		110/240 V AC	M103

① M...R - LED red, M...G - LED green

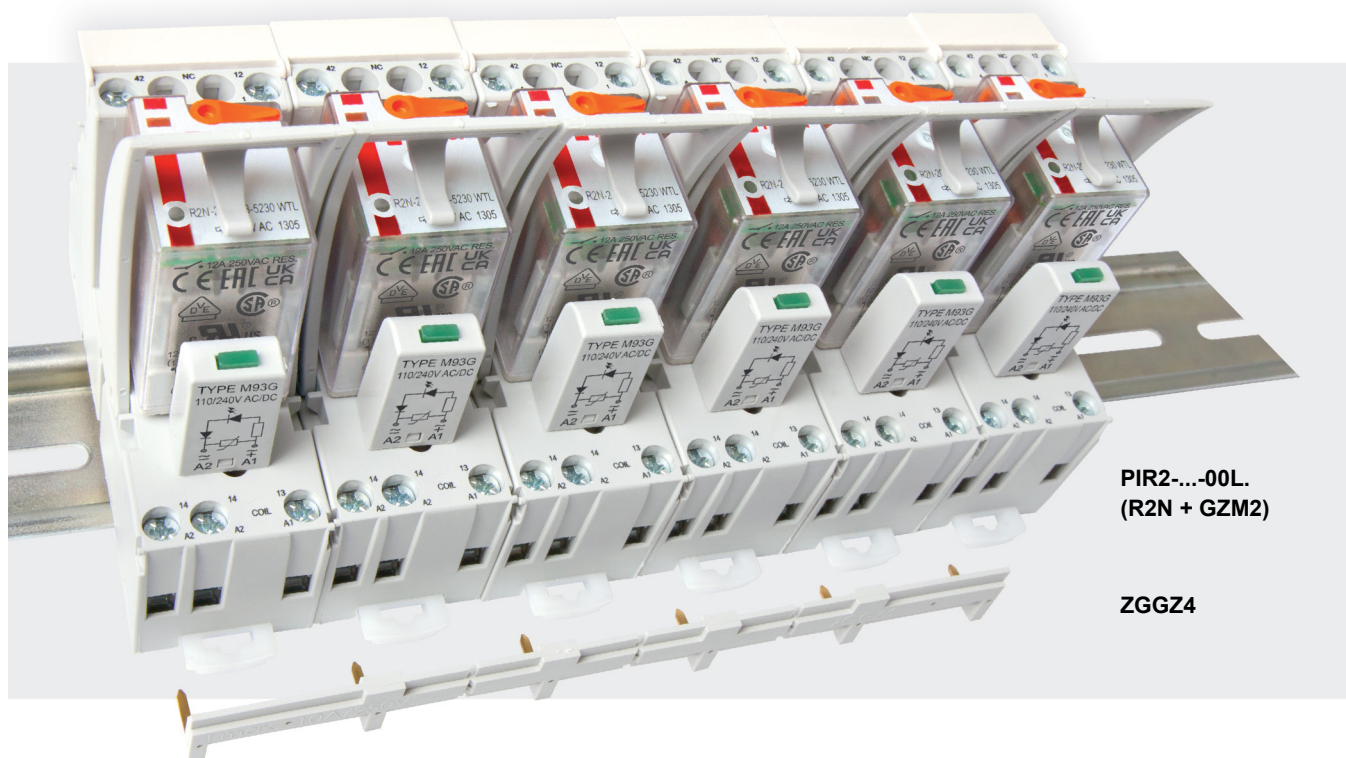
② When ordering modules indicate their color: gray or black.



### PRECAUTIONS:

1. Ensure that the parameters of the product described in its specification provide a safety margin for the appropriate operation of the device or system and never use the product in circumstances which exceed the parameters of the product. 2. Never touch any live parts of the device. 3. Ensure that the product has been connected correctly. An incorrect connection may cause malfunction, excessive heating or risk of fire. 4. In case of any risk of any serious material loss or death or injuries of humans or animals, the devices or systems shall be designed so to equip them with double safety system to guarantee their reliable operation.

## Interconnection strips ZGGZ4



PIR2-...-00L.  
(R2N + GZM2)

ZGGZ4

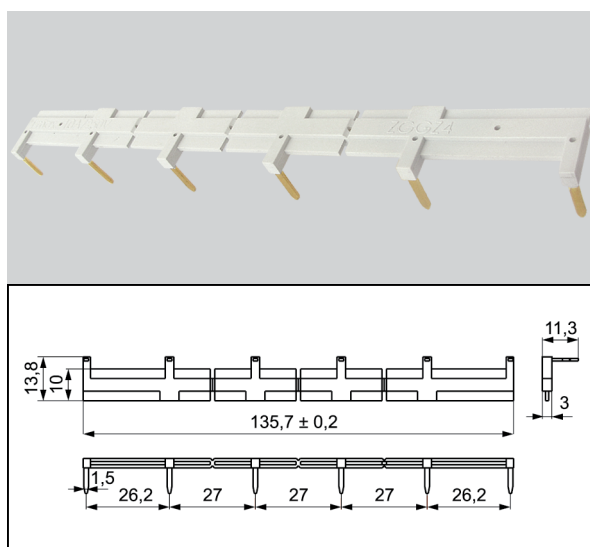
### ZGGZ4 for:

Plug-in sockets	Relays for plug-in sockets	Interface relays <sup>⑥</sup>
GZM2	R2N	PIR2-...-00L. (R2N + GZM2)
GZT2		
GZM3	R3N	PIR3-...-00L. (R3N + GZM3)
GZT3		
GZM4	R4N	PIR4-...-00L. (R4N + GZM4)
GZT4		

<sup>⑥</sup> Interface relay **PIR2 (PIR3, PIR4)** is offered as a **set**: electromagnetic relay **R2N (R3N, R4N)** + plug-in socket **GZM2 (GZM3, GZM4)** + signalling / protecting module type **M...** + retainer / retractor clip **GZT4-0040** + description plate **GZT4-0035**.

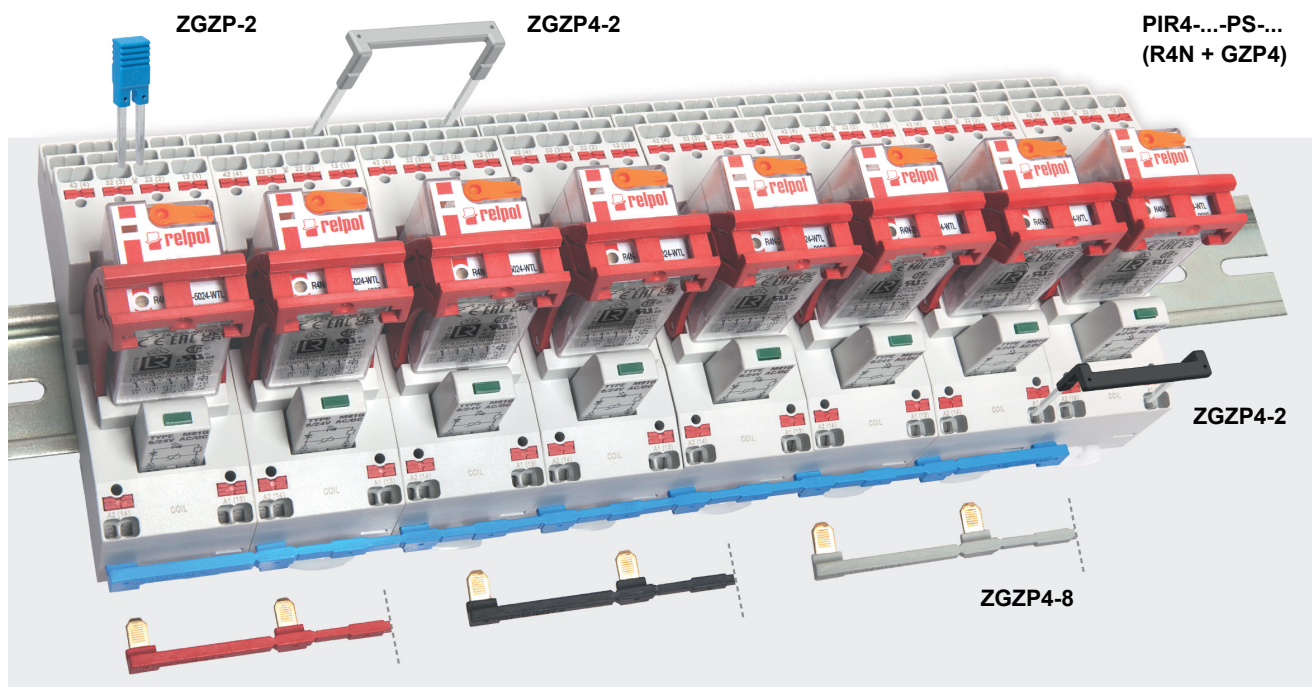
### Interconnection strip ZGGZ4

- designed for the co-operation with plug-in sockets of miniature industrial relays and with interface relays PIR2, PIR3 and PIR4, which are equipped with screw terminals; sockets and relays are mounted on 35 mm rail mount acc. to EN 60715,
- bridges common input signals (coil terminals A1 or A2) or output signals - see photo at the top,
- maximum permissible current is 10 A / 250 V AC,
- possibility of connection of 6 sockets or relays,
- colours of strips: **ZGGZ4-1** grey, **ZGGZ4-2** black.





## Interconnection strips ZGZP... for sockets GZP4



### ■ ZGZP... for:

Plug-in sockets	Relays for plug-in sockets	Interface relays <sup>⚡</sup>
GZP4	R2N	PIR2-...-PS-... (R2N + GZP4)
	R4N	PIR4-...-PS-... (R4N + GZP4)

<sup>⚡</sup> Interface relay **PIR2 (PIR4)** is offered as a **set**: electromagnetic relay **R2N (R4N)** + plug-in socket **GZP4** + signalling / protecting module type **M...** + retainer / retractor clip **GZP4-0400**.

### ■ Interconnection strips ZGZP...

- designed for the co-operation with plug-in sockets of miniature industrial relays and with interface relays PIR2 and PIR4, which are equipped with screw terminals; sockets and relays are mounted on 35 mm rail mount acc. to EN 60715,
- strip **ZGZP4-8** bridges common input signals (coil terminals A1 or A2), maximum permissible current is 10 A / 250 V AC, possibility of connection of 8 sockets or relays,



- strip **ZGZP4-2** bridges common input signals (coil terminals A1 or A2) or output signals, possibility of connection of 2+n sockets or relays,



- jumper **ZGZP-2** bridges the neighboring poles of single socket **GZP4**.

